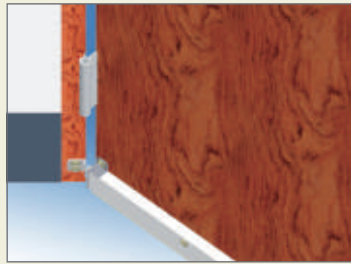


內嵌式
Hidden in the door.



外掛式
External mounted on the door.



內嵌式(拉門)
Hidden in the sliding door.



可裁切長度
Fitting length.

Auto Door Drop Seal



門用自動下降條



隔煙 / 防塵 / 防蟲 / 隔音 / 節能 Isolate smokes/Dust/ Insects/Noise/Conserve energy

特性:

- 當門關上時，自動下降條立即下降。
- 可有效阻隔煙霧、灰塵、昆蟲、噪音且節能。
- 一般門扇或拉門皆可使用安裝。
- 內嵌式隱藏於門板內，不影響外觀。
- 外掛式可輕鬆DIY完成安裝。
- 可經微調使其與地面達到最佳阻隔效果。
- 另有防火門專用之防火級下降條。
- 可依門扇寬度，簡易裁切成所需要的長度。

Features:

- Drop automatically when closing the door.
- Isolate smokes,dust, insects,noise, and save energy.
- Be used in swing or sliding door.
- Hidden type: Invisible in door,keeps outlooks the same.
- External mounted type:DIY easily!
- Drop range adjustabe slightly.
- Optional: Fireproof DDS.
- Cut the length you need according to door width.

火場中**濃煙**比烈火更可怕。

現代高樓火災中有**80%**的人，因吸入過多濃煙，造成嗆傷或不幸!

Smoke is much more dangerous than flames.

80% of people die because of smoke when the fire occurs in tall buildings.

新型專利
內嵌外掛可共用

New patent!
Hidden &
external mounted
for door

鏡富企業有限公司

E.FULL ENTERPRISE CO., LTD.

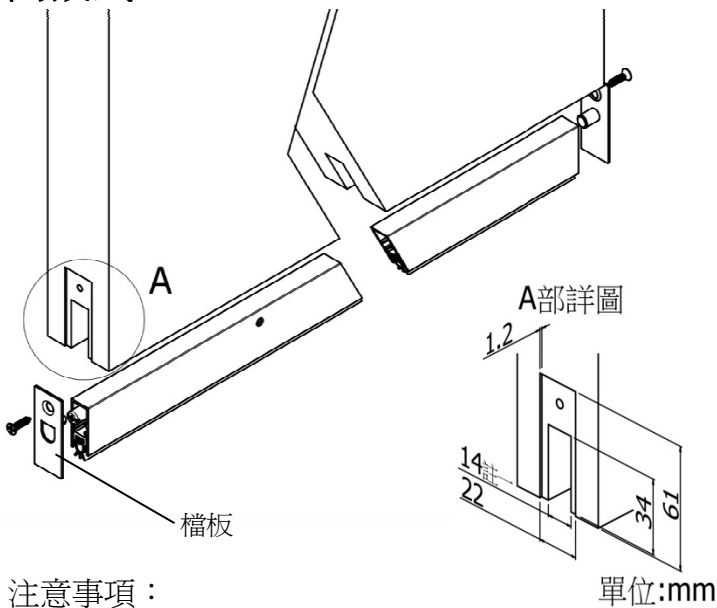
338桃園縣蘆竹鄉錦順街48之1號

No. 48-1, Jinshun St., Luzhu Township, Taoyuan County 338, Taiwan, (R.O.C.)

TEL:886-3-3113808 FAX:886-3-3113985 Web:www.efulls.com.tw Email: tony@efulls.com.tw

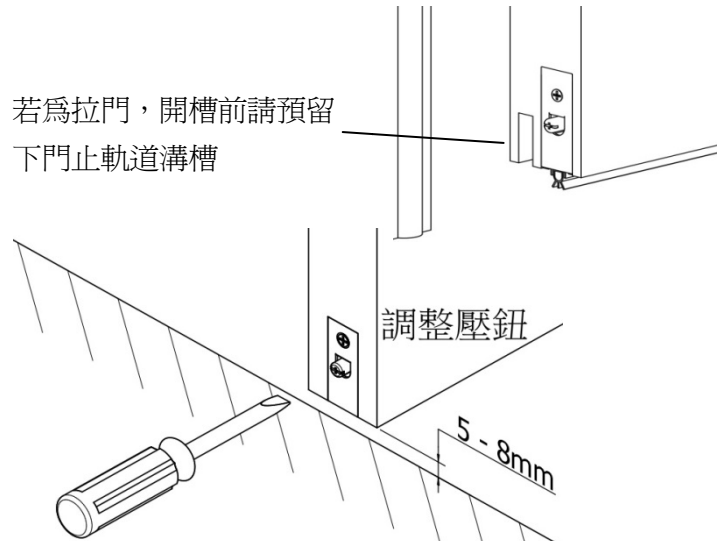
門用自動下降條安裝說明書

內嵌式：



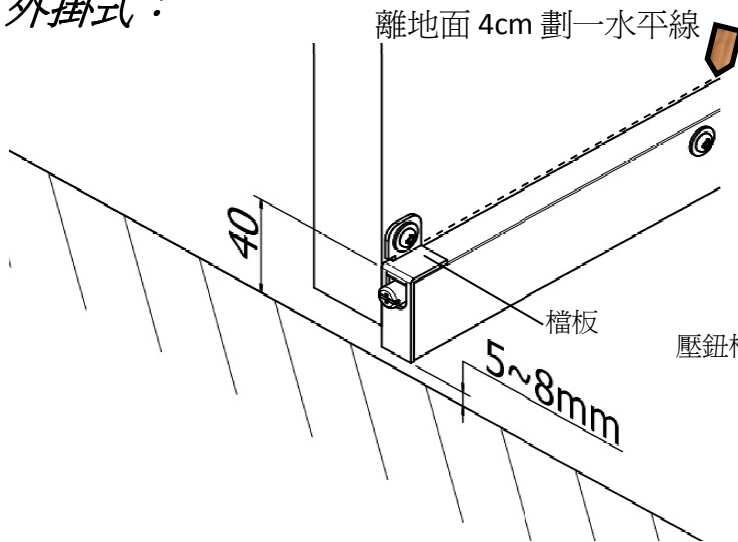
注意事項：
調整壓鈕朝門扇的轉軸端安裝，在門下依「A部詳圖」尺寸開槽後^{註一}，將門用自動下降條裁切至適合門片的寬度^{註二}，嵌入下降條，兩端鎖上槽板即可。

若為拉門，開槽前請預留下門止軌道溝槽

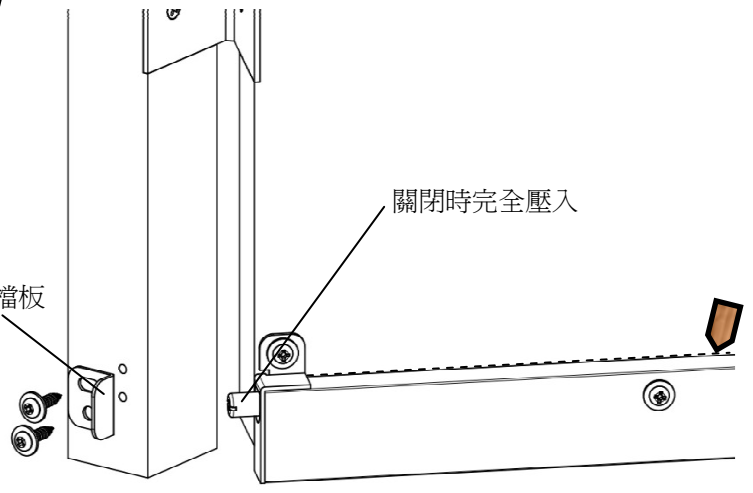


注意事項：
下降條底部與地面維持在 5~8mm 為最佳狀態，用一字起子調整下降長度，若門縫大於 15mm(1.5cm)，則可以減少開槽深度使下降條充分發揮其功能。拉門內嵌式下降條須預留下門止的軌道溝槽。

外掛式：



注意事項：
外掛式門用自動下降條，底部與地面維持在 5~8mm 為最佳狀況。若門縫過大，則頂部與地面保持在 40mm 左右(安裝前可在離地面 4cm 劃一水平線)安裝最佳，使本產品充分發揮其功能。



注意事項：
在外掛式壓鈕槽板安裝時，請確認壓鈕槽板側邊與門框側邊齊平；若門扇與門框有間隙，請自行調整槽板與下降條距離，以確保門扇關起時壓鈕完全被壓入且不留間隙。

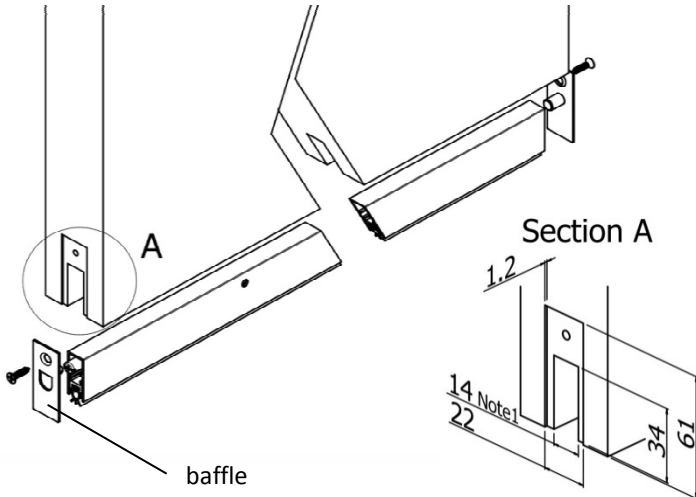
註一：若您購買的是防火型門用自動下降條，則開槽時槽寬請由 14mm 加寬至 18.5mm

註二：裁切時切記以下 3 點：

- 裁切後須將切斷面毛邊完全去除，以防下降條被毛邊卡住而無法作用
- 105cm 型最短裁切至 75cm，120cm 型最短裁切至 95cm
- 實際裁切尺寸 = 門寬 - 2 片槽板之厚度
例如：門寬 100cm，則裁切尺寸不超過 99.7cm → $100\text{cm} - (1.5\text{mm} \times 2) = 99.7\text{cm}$

Auto Door Drop Seal (DDS) Instruction

Hidden type :

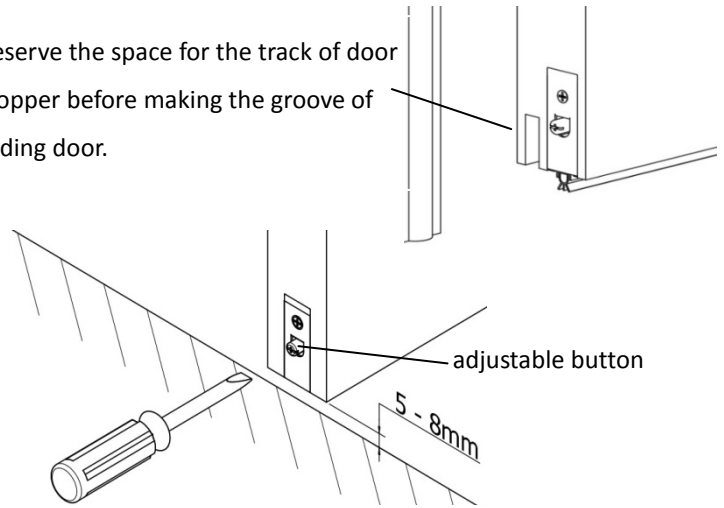


Note :

Install the adjustment on the rotatable side of door end. Make the bottom groove¹ according to "section A" and cut the DDS with suitable width² for door. Install DDS into the groove and fasten the baffles on both sides of the door.

unit: mm

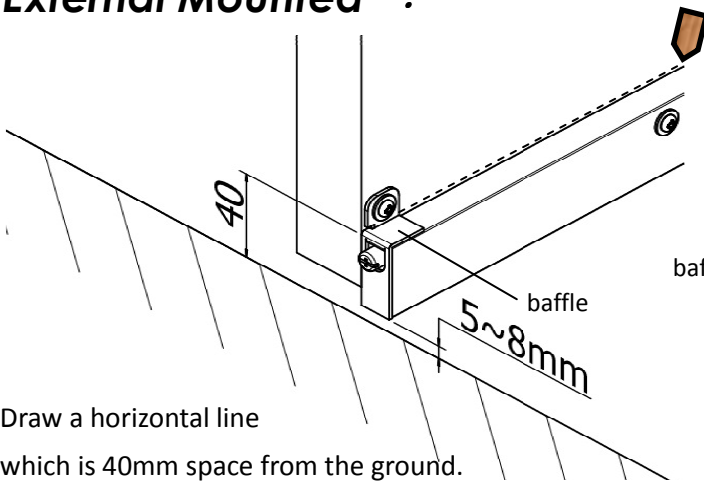
Reserve the space for the track of door stopper before making the groove of sliding door.



Note :

With 5-8mm space from the bottom of DDS to the ground that performs best. With screwdriver (flat head) that downward distance can be adjusted. If the gap of door is more than 15mm, please reduce the depth of groove. Please reserve the space for the track of door stopper before making the groove of sliding door.

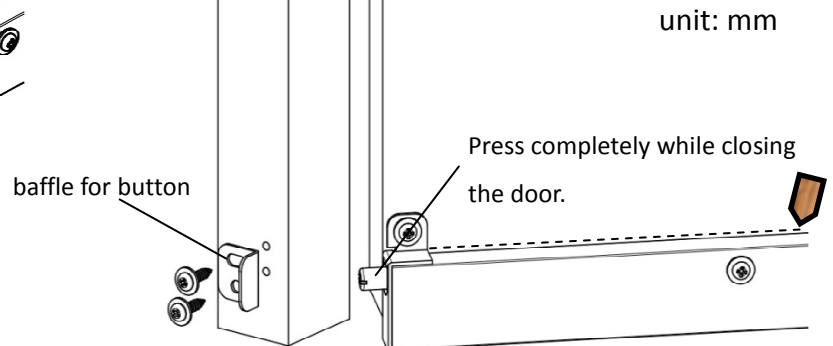
External Mounted :



Draw a horizontal line which is 40mm space from the ground.

Note :

5-8mm would be the best space between the bottom of DDS to the ground. If the door gap is too big then 40mm space remaining between the top of DDS to the ground would be the best. (Draw a horizontal line which is 40mm space from the ground before install).



Note :

Please make sure the position on both sides of baffle and door frame as flush when installing for button. If gap exist between door and door frame, please adjust the distance for baffle and DDS to make sure the adjustable button can be pressed completely without gap while closing the door.

Note1: If fireproof DDS chose, the width of groove should be increased from 14mm to 18.5mm.

Note2: Please note the 3 points below before cutting:

- Please remove burrs completely after cutting to avoid influencing the function of DDS.
- The minimum length of type 105cm would be 75cm after cutting and type 120cm will be 90cm.
- Actual cutting length= door width – 2 baffle's thickness. Ex: Door width in 100cm then actual cutting length shouldn't be more than 99.7cm.--> $100\text{cm} - (1.5\text{mm} \times 2) = 99.7\text{cm}$